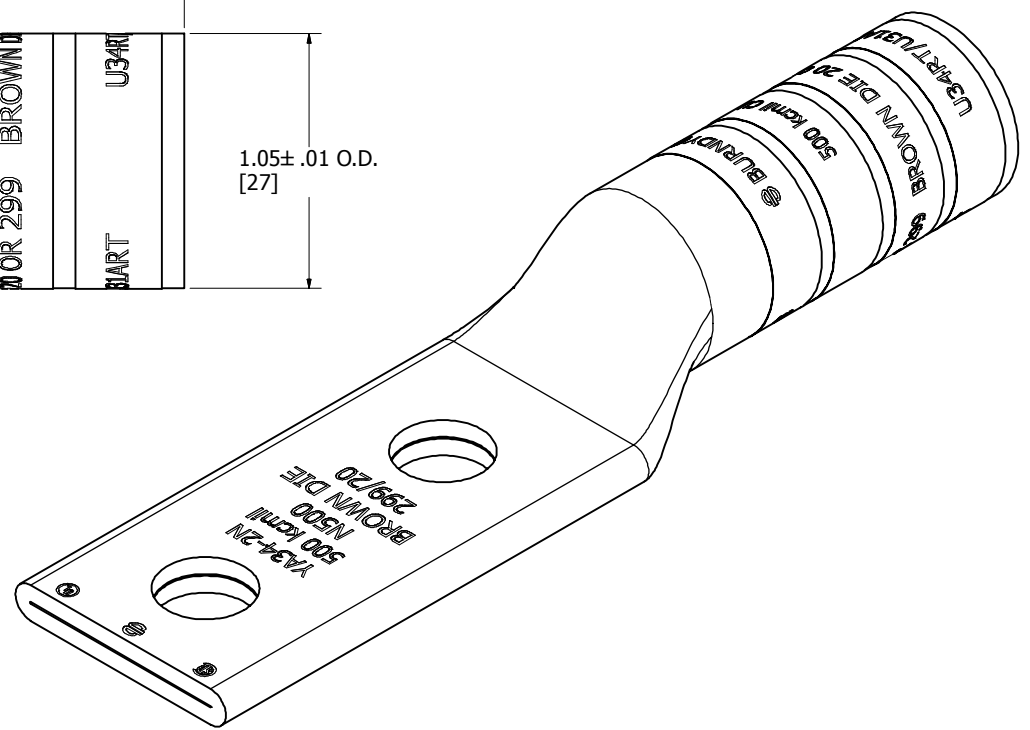
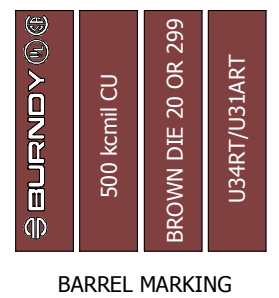
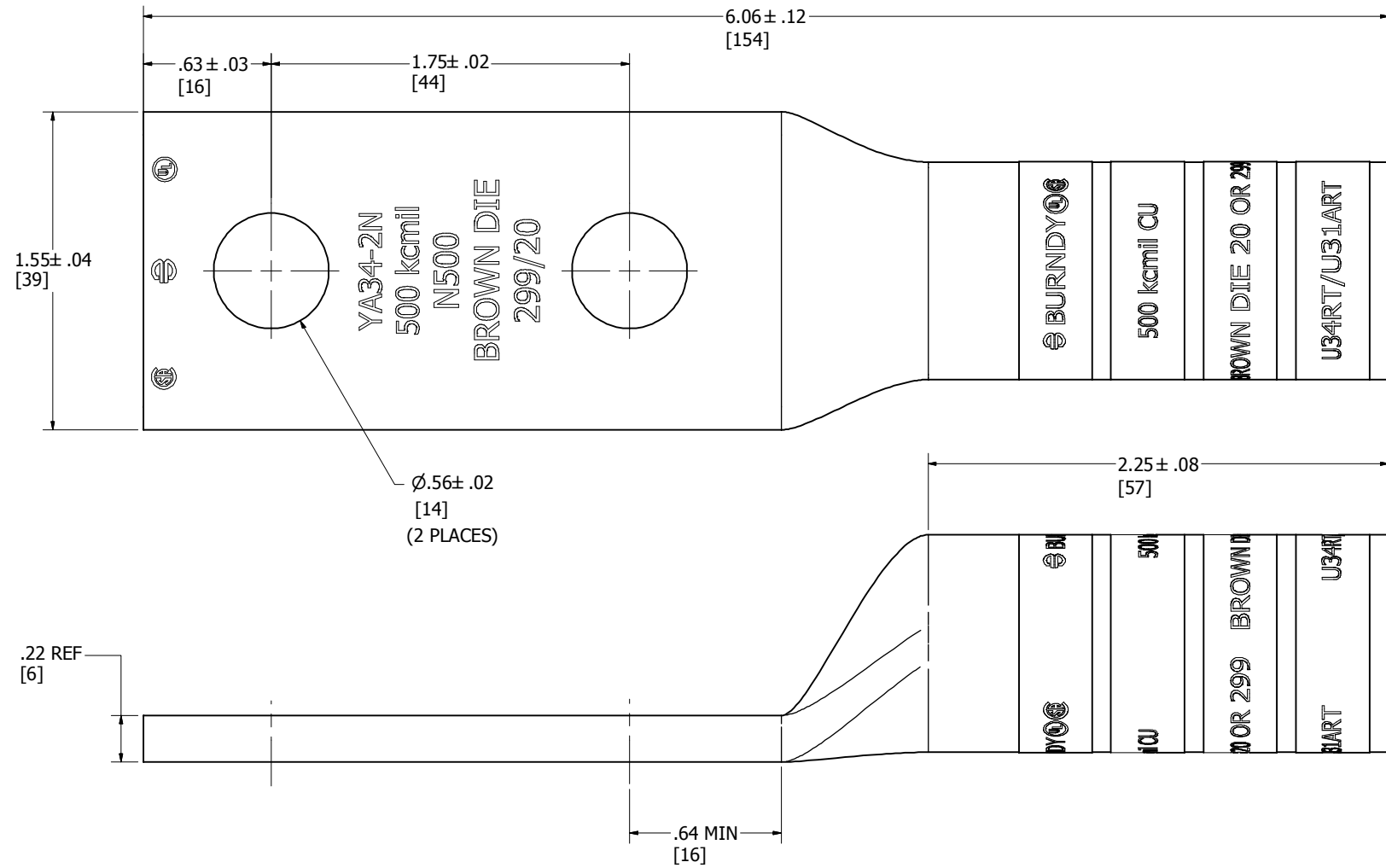


STRANDED COPPER CONDUCTOR ACCOMMODATED			BOLT SIZE	METRIC BOLT SIZE	COLOR CODE	DIE INFORMATION		MECHANICAL RATCHET					HYDRAULIC					DIELESS (# CRIMPS)	WIRE STRIP LENGTH		
CODE (AWG)	NAVY	METRIC SIZE (CLASS 2)				DIE INDEX	TYPE	Y1MRTC	OUR840	MD6 MD7	MD6-R2 MD7-34R	PAT600 Y500	Y34A Y34B Y34BH	Y35, Y39 Y750, PAT750	Y46 PAT46	Y45	Y48B			Y60BHU	
500 kcmil	----	240mm ² STR [23.1]	1/2	M12	BROWN	20 299	BROWN DIE SET	----	----	W34RT (4) W34VT (4)	W34RT (4) W34VT (4)	W34RT (4) W34VT (4)	----	U34RT (4) U31ART (2)	U34RT (4) P34RT (4) U31ART (2)	U34RT (4) U31ART (2)	C34R (2) C31AR (2)	L34RT (2)	HYDRAULIC: PAT644 (1) Y644 (1) PAT81KFT (4) Y81KFT (4) PAT4PC834 (4) Y4PC834 (4)	2 - 5/16"	
							NEST	----	----	----	----	----	B34D (1) A34D (1) Y34PR	U34D-1 (2) Y34PR	U34D-1 (2) Y34PR	U34D-1 (2) Y34PR	C34D (2) Y48PR	----			
							INDENTOR	----	----	----	----	----									

REV	DATE	DESCRIPTION	ECO	BY	CHK.
B	11/19/2015	ADD SILVER PLATE NOTE FOCUS REQUEST FPN1511043	42208	AS	MB



NOTES:

- MATERIAL: COPPER TUBING
- FINISH: TIN PLATED.
FOR SILVER PLATED VERSION, ADD SUFFIX "-SV"
TO CATALOG NO.: YA342NSV
- CATALOG # PT6515 ADAPTOR IS REQUIRED TO USE "U" DIES IN Y45 SERIES TOOLS.
- CATALOG # PUADP-1 ADAPTOR IS REQUIRED TO USE "U" DIES IN Y46 SERIES TOOLS.
- Y35P3 INDENTOR ADAPTOR REQUIRED FOR Y34PR INDENTOR.
- PERMANENT DIE IN TOOLING.
- DIMENSIONS IN BRACKETS [] ARE IN MILLIMETERS ROUNDED OFF TO THE NEAREST MILLIMETER, UNLESS OTHERWISE NOTED, AND ARE FOR REFERENCE ONLY.
- FOR USE BY CUSTOMERS THAT HAVE THIS HYPRESS™. NO NEW Y34A HYPRESS™ TOOLS ARE BEING PROCESSED. Y34A USES A--D TYPE NEST DIES.
- UL LISTED AND CSA CERTIFIED WIRE CONNECTOR.
- "X", "W-RT", "W-VT", "U", & "L" DIE SETS ARE COLOR CODED. "A", "B", AND "C" DIES ARE NOT COLOR CODED. NESTS AND INDENTOR TYPE ARE NOT COLOR CODED.

TO ORDER BURNDY® PRODUCTS CALL		HYLUG™	
UNITED STATES 1-800-346-4175 (LONDONDERRY, NH)		ITEM NO: 502605	
CANADA: 1-800-361-6975 (QUEBEC) 1-800-387-6487 (ALL OTHER PROVINCES)		CAT. NO: YA342N	
FOR PRODUCT INFO: http://www.burndy.com		DRAWN BY: HMALHOTRA 10/15/2012	
		CHECKER: J. MICHAUD 4/30/2013	
		DSN APRVL: R. ROMAN 4/24/2013	
		MFG APRVL: M. KNAPTON 3/19/2013	
		QA APRVL: T. WATTS 3/20/2013	
		MKT APRVL: J. SYLVIA 5/17/2013	
		PROD FAM: CM&R COMPRESSION	
		DRAWING NO	
		50010249	
		REV	
		B	
		SHEET 1 OF 1	