

ELECTRONIC CONVECTOR

SHC SERIES

HEATING NEVER LOOKED SO GOOD

Our SHC convector has rounded sides and beautiful modern lines that are sure to please you. It is available either with an ultra-accurate built-in electronic thermostat or without, leaving you the option to control it the way you want. This unit is good-looking, available in different colours and is offered in all voltages making it adaptable to both commercial and residential applications. A real gem!



EXCELLENT VALUE

AND BLENDS IN WITH ALL DECORS

INNOVATIVE LOOK

ROUNDED EDGES AND MODERN LINES

TOTALLY QUIET

BUILT-IN ELECTRONIC THERMOSTAT

WITH A BACKLIGHT THAT CAN SERVE AS A NIGHTLIGHT (120 V TO 240 V MODELS)

ADAPTS TO MULTIPLE MARKETS

MANY VOLTAGES AVAILABLE: 120 V, 208 V, 240 V, 277 V, 347 V, 480 V AND 600 V

IDEAL FOR:

KITCHEN, LIVING ROOM, BEDROOM, OFFICE, BASEMENT,
COMMERCIAL BUILDING

COLOURS

- standard: white, soft white
- luxurious finish: stainless steel (see price list)
- ORORA (optional): denim blue, midnight blue, turquoise, moss green, canary yellow, red, orange, anodized aluminum paint, gravel gray, charcoal, espresso, black (refer to [page 8 of the catalogue](#))

FINISH

epoxy-polyester powdercoat or stainless steel

MANUFACTURING

- 22-gauge steel cabinet and 20-gauge steel front
- the cabinet height improves the chimney effect
- bottom air intake and front air discharge

ELEMENTS

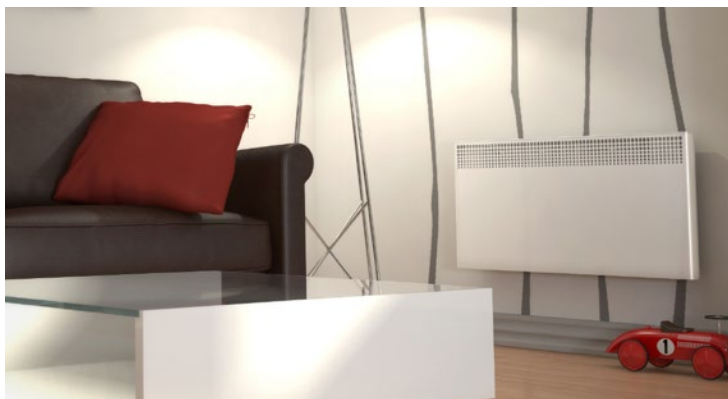
two stainless steel tubular sheathed elements insulated with nylon sleeves reducing expansion and contraction noises

CONTROL

electronic thermostat required: built-in electronic thermostat with LCD screen (optional) or electronic wall thermostat (not included)

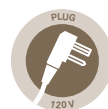
INSTALLATION

- surface mounted only
- wall mounted at least 4 in. from the floor
- concealed mounting bracket (included)
- back entry plate with cable clamps (included)



PART OF THE SHC FAMILY OF PRODUCTS

NEED A FAN HEATER FOR
YOUR BATHROOM?
SEE PAGE 28



ALSO AVAILABLE: SEMI-PERMANENT INSTALLATION MODEL

QUICK PLUG-IN INTO RESIDENTIAL 120 V OUTLET

TECHNICAL SPECIFICATIONS

BUILT-IN THERMOSTAT			WITHOUT THERMOSTAT			POWER	VOLTAGE	HEIGHT		LENGTH		WEIGHT	
CODE	W OR SW	SS	CODE	W OR SW	SS			WATTS	VOLTS	MM	IN.	MM	IN.
SHC0501	183.00	248.00	SHC0501WC	141.00	205.00	500	120	446	17 9/16	440	17 5/16	5.1	11.2
SHC0508	183.00	248.00	SHC0508WC	141.00	205.00	500	208	446	17 9/16	440	17 5/16	5.1	11.2
SHC0502	158.00	222.00	SHC0502WC	115.00	179.00	500/375	240/208	446	17 9/16	440	17 5/16	5.1	11.2
---	---	---	SHC0507WC	141.00	205.00	500	277	446	17 9/16	440	17 5/16	5.1	11.2
---	---	---	SHC0503WC	193.00	256.00	500	347	446	17 9/16	440	17 5/16	5.1	11.2
SHC1001	196.00	261.00	SHC1001WC	154.00	219.00	1000	120	446	17 9/16	581	22 7/8	6.0	13.3
SHC1008	196.00	261.00	SHC1008WC	154.00	219.00	1000	208	446	17 9/16	581	22 7/8	6.0	13.3
SHC1002	171.00	235.00	SHC1002WC	128.00	193.00	1000/750	240/208	446	17 9/16	581	22 7/8	6.0	13.3
---	---	---	SHC1007WC	154.00	219.00	1000	277	446	17 9/16	581	22 7/8	6.0	13.3
---	---	---	SHC1003WC	205.00	269.00	1000	347	446	17 9/16	581	22 7/8	6.0	13.3
---	---	---	SHC1005WC	205.00	269.00	1000	480	446	17 9/16	581	22 7/8	6.0	13.3
---	---	---	SHC1006WC	205.00	269.00	1000	600	446	17 9/16	581	22 7/8	6.0	13.3
SHC1501	209.00	273.00	SHC1501WC	166.00	231.00	1500	120	446	17 9/16	727	28 5/8	7.1	15.7
SHC1508	209.00	273.00	SHC1508WC	166.00	231.00	1500	208	446	17 9/16	727	28 5/8	7.1	15.7
SHC1502	183.00	248.00	SHC1502WC	141.00	205.00	1500/1125	240/208	446	17 9/16	727	28 5/8	7.1	15.7
---	---	---	SHC1507WC	166.00	231.00	1500	277	446	17 9/16	727	28 5/8	7.1	15.7
---	---	---	SHC1503WC	219.00	282.00	1500	347	446	17 9/16	727	28 5/8	7.1	15.7
---	---	---	SHC1505WC	219.00	282.00	1500	480	446	17 9/16	727	28 5/8	7.1	15.7
---	---	---	SHC1506WC	219.00	282.00	1500	600	446	17 9/16	727	28 5/8	7.1	15.7
SHC2008	222.00	286.00	SHC2008WC	179.00	243.00	2000	208	446	17 9/16	889	35	8.6	18.9
SHC2002	196.00	261.00	SHC2002WC	154.00	219.00	2000/1500	240/208	446	17 9/16	889	35	8.6	18.9
---	---	---	SHC2007WC	179.00	243.00	2000	277	446	17 9/16	889	35	8.6	18.9
---	---	---	SHC2003WC	231.00	295.00	2000	347	446	17 9/16	889	35	8.6	18.9
---	---	---	SHC2005WC	231.00	295.00	2000	480	446	17 9/16	889	35	8.6	18.9
---	---	---	SHC2006WC	231.00	295.00	2000	600	446	17 9/16	889	35	8.6	18.9

Add W for white, SW for soft white or SS for stainless steel (see [page 8 of the catalogue](#) for optional colours and contact your °STELPRO representative for all other colours). Mechanical wall thermostats are not compatible with the without thermostat model (WC) – electronic thermostat is required.
 --- not available

ACCESSORIES

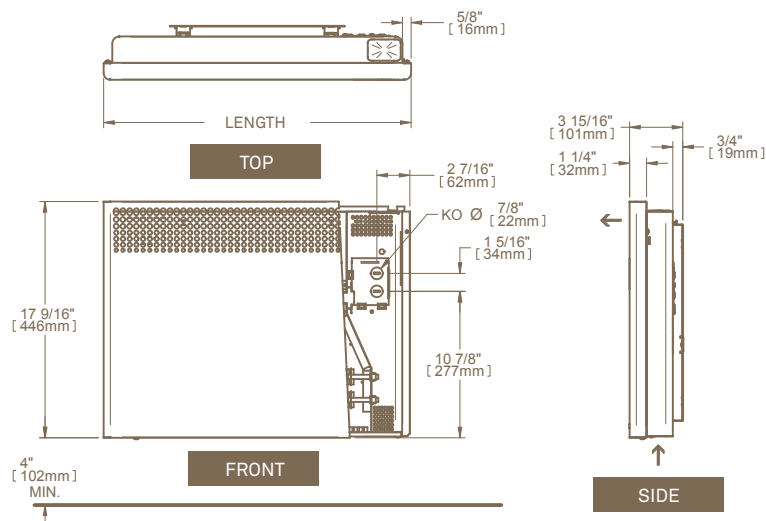
PRODUCT	DESCRIPTION	PRICE
SHCRE153*	built-in electronic low voltage relay [15 A @ 120 V-347 V]	50.75
SHCRE156*	built-in electronic low voltage relay [6 A @ 600 V]	85.75
SHCRE153T*	built-in electronic low voltage relay c/w transformer 24 V [15 A @ 208 V-347 V]	66.00

Electronic relays can receive a PWM (pulsed width modulation) or digital (on/off) signal.
 * Factory installed

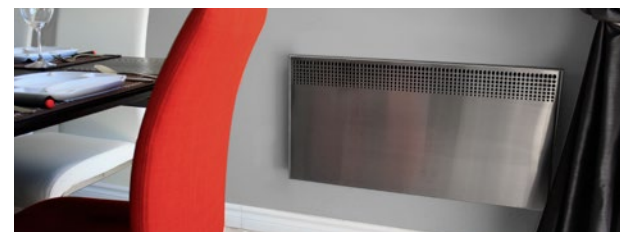


BUILT-IN ELECTRONIC THERMOSTAT AVAILABLE FOR THE 120 V TO 240 V MODELS

TECHNICAL DRAWINGS



INNOVATIVE LOOK
 ROUNDED EDGES AND MODERN LINES



STAINLESS STEEL MODEL (SS) WITH BLACK CABINET