

Product datasheet

Characteristics

XAPE301

drilled front plate - XAP-E - metal - 1 opening



Main

Range of product	Harmony XAP
Product or component type	Front plate with fixing screws
Device short name	XAPE
Product destination	For Ø 22 mm control and signalling units
Product front plate size	72 x 72 mm
Number of cut-out	1 cut-out
Material	Anodised aluminium
Device mounting	Flush
IP degree of protection	IP65 conforming to IEC 60529 IP657 conforming to NF C 20-010
Resistance to chemical agents	Good resistant to acetone Good resistant to alcohols Good resistant to chloride and fluoride solvents Good resistant to diluted mineral acids Good resistant to oils and petrol Good resistant to organic acids Good resistant to salts

Complementary

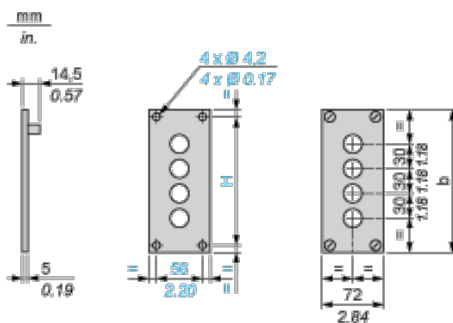
Product weight	0.05 kg
----------------	---------

Environment

protective treatment	TC TH
ambient air temperature for storage	-40...70 °C
ambient air temperature for operation	-25...70 °C
overvoltage category	Class I conforming to NF C 20-030 Class I conforming to IEC 60536

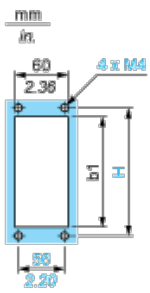
Dimensions and Fixing

Below drawing shows a front plate with 4 cut-outs. Refer to the product characteristics to get the number of cut-outs.



Panel cut-out

The information provided in this documentation contains general descriptions and/or technical characteristics of the products contained herein. This documentation is not intended as a substitute for and is not to be used for determining suitability or reliability of these products for specific user applications. It is the duty of any such user or integrator to perform the appropriate and complete risk analysis, evaluation and testing of the products with respect to the relevant specific application or use thereof. Neither Schneider Electric Industries SAS nor any of its affiliates or subsidiaries shall be responsible or liable for misuse of the information contained herein.



b		b1		H	
mm	in.	mm	in.	mm	in.
72	2.83	44	1.73	56	2.20