



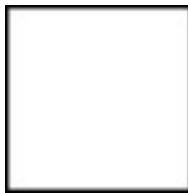
13357-N

Description

Medium Base, Bi-Pin, Standard Fluorescent Lampholder, Tall Profile, Slide-On, Turn-Type, Captive Nut Screws Packed Bulk, Quick-Connect 18AWG Solid or Str. Tinned - White Captive Nut Screws Packed Bulk

Product Features

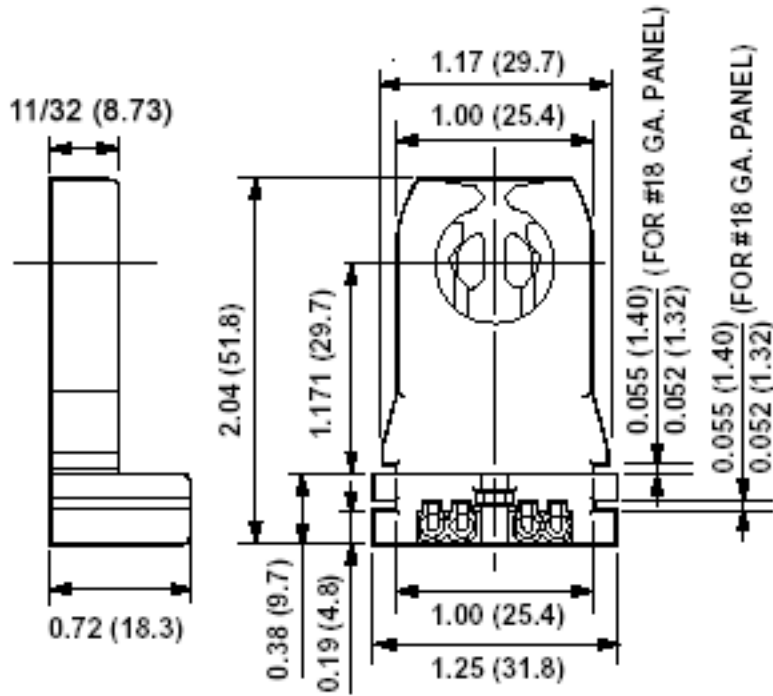
Color: White



- Lamp Base: Medium
- Lamp Contacts: Bi-Pin
- Style Name: Tall Profile
- Mounting Type: Slide-On
- Panel Thickness: 18-20 Ga. Panel
- Contact Type: Turn-Type
- Termination: Quick-Connect 18AWG Solid or Str. Tinned
- Feature: Captive Nut Screws Packed Bulk
- Rated Wattage: 660W
- Color: White
- Standards and Certifications: UL/CSA/NOM
- Warranty: 1 Year Limited
- Notes: Captive Nut Screws Packed Bulk
- Availability: Distribution

Electrical Specifications	
Voltage	600 Volt
Rated Wattage	660W
Mechanical Specifications	
Mounting Type	Slide-On
Panel Thickness	18-20 Ga. Panel
Contact Type	Turn-Type
Termination	Quick-Connect 18AWG Solid or Str. Tinned
Wire Strip Length	3/8 Inch

Material Specifications	
Body Material	Thermosetting Urea
Contact Material	Copper-Alloy
Nut	6-32 Zinc-Plated
Screw	6-32 X 3/8 Zinc-Plated
Color	White
Availability	Distribution
Standards and Certifications	
UL Listed	File E5833
CSA Certified	File LR-5863
NOM Certified	057



SPECIFICATION SUBMITTAL

JOB NAME: <input type="text"/>	CATALOG NUMBERS: <input type="text"/>	
JOB NUMBER: <input type="text"/>	<input type="text"/>	<input type="text"/>

Leviton Manufacturing Co., Inc.

59-25 Little Neck Parkway, Little Neck, NY 11362-2591
 Telephone: 1-800-323-8920 · FAX: 1-800-832-9538 · Tech Line (8:30AM-7:30PM E.S.T. Monday-Friday): 1-800-824-3005

Leviton Manufacturing of Canada, Ltd.

165 Hymus Boulevard, Pointe Claire, Quebec H9R 1E9 · Telephone: 1-800-469-7890 · FAX: 1-800-824-3005

Leviton S. de R.L. de C.V.

Lago Tana 43, Mexico DF, Mexico CP 11290 · Tel.: (+52)55-5082-1040 · FAX: (+52)5386-1797 · www.leviton.com.mx



Visit our Website at: www.leviton.com

©2007 Leviton Manufacturing Co., Inc. All rights reserved. Subject to change without notice.