

Continuous Hinge CH Junction Boxes



Application

Designed for use as electrical junction boxes, terminal wiring boxes, and instrument housings. Hinged doors provide convenient access. Boxes provide protection from dust, dirt, oil, and water. See EMC Enclosures for a related EMC-shielded product.

Construction

- 16 gauge or 14 gauge steel (see table)
- Seams continuously welded and ground smooth; no holes or knockouts
- Continuous hinge
- External screw clamps are quick and easy to operate
- Bonding provision on door
- External wall-mounting brackets are 12 gauge steel
- Oil-resistant gasket
- Weldnuts provided for mounting optional panels and terminal block kits in size 6.00 x 4.00 in. (152 x 102mm) and larger
- Optional panels are 14 gauge steel

Finish

ANSI 61 gray polyester powder paint inside and out over phosphatized surfaces. Optional panels are white or conductive finish.

Industry Standards

UL 50, File No. E27567: Type 12 and 13
 UL 508A, File No. E61997: Type 12 and 13
 NEMA/EEMAC Type 12 and 13
 JIC standard EGP-I-1967 (14 gauge only)
 CSA, File No. 42184: Type 12
 IEC 60529, IP65

Accessories

See also Accessories chapter.

- Clamp Kit (AL17)
- DIN3 Rails
- Fan Cooling Products
- Fast-Operating Junction Clamp (AL23)
- Lock Kit (ACLJIC)
- Panels (see table)
- Swing-Out Panel Kit (AJCDFK)
- Terminal Block Kit Assembly
- Touch-Up Paint (ATPPY61)
- Window Kit

Modification Services Program

You can customize this product to your unique requirements by specifying from these options:

- Over 100 standard finish colors and textures
- Holes and cutouts in body, doors, subpanels
- Tapped hole, fasteners, in enclosure or subpanel
- Mounting
- Doors
- Windows
- Standard accessories

To order, contact your local Hoffman sales representative.

NOTE: For information about modifications outside the scope of the Modification Services program, contact your Hoffman sales representative.

Standard Sizes Continuous Hinge CH Junction Boxes

Catalog Number	A x B x C in. (mm)	Gauge	Panel Catalog No.	Conductive Panel Catalog No.	Panel Size D x E in. (mm)	Mounting G x H in. (mm)	Overall L x W in. (mm)	F in. (mm)	J in. (mm)	K in. (mm)	P in. (mm)	T in. (mm)	V in. (mm)	Y in. (mm)
A404CH	4.00 x 4.00 x 3.00 (102 x 102 x 76)	16	No Panel	No Panel	No Panel	4.75 x 2.00 (121 x 51)	5.50 x 4.94 (140 x 125)	—	2.62 (66)	0.54 (14)	1.38 (35)	3.00 (76)	—	—
A604CH	6.00 x 4.00 x 3.00 (152 x 102 x 76)	16	A6P4	A6P4G	4.88 x 2.88 (124 x 73)	6.75 x 2.00 (171 x 51)	7.50 x 4.94 (191 x 125)	2.53 (64)	2.62 (66)	0.54 (14)	2.38 (60)	3.00 (76)	0.31 (8)	0.56 (14)
A806CH	8.00 x 6.00 x 3.50 (203 x 152 x 89)	14	A8P6	A8P6G	6.75 x 4.88 (171 x 124)	8.75 x 4.00 (222 x 102)	9.50 x 6.94 (241 x 176)	3.03 (77)	3.12 (79)	0.56 (14)	1.00 (25)	5.00 (127)	0.25 (6)	0.62 (16)
A4044CH	4.00 x 4.00 x 4.00 (102 x 102 x 102)	16	No Panel	No Panel	No Panel	4.75 x 2.00 (121 x 51)	5.50 x 4.94 (140 x 125)	—	3.62 (92)	0.54 (14)	1.38 (35)	3.00 (76)	—	—
A6044CH	6.00 x 4.00 x 4.00 (152 x 102 x 102)	16	A6P4	A6P4G	4.88 x 2.88 (124 x 73)	6.75 x 2.00 (171 x 51)	7.50 x 4.94 (191 x 125)	3.53 (90)	3.62 (92)	0.54 (14)	2.38 (60)	3.00 (76)	0.31 (8)	0.56 (14)
A606CH	6.00 x 6.00 x 4.00 (152 x 152 x 102)	16	A6P6	A6P6G	4.88 x 4.88 (124 x 124)	6.75 x 4.00 (171 x 102)	7.50 x 6.94 (191 x 176)	3.53 (90)	3.62 (92)	0.54 (14)	2.38 (60)	5.00 (127)	0.31 (8)	0.56 (14)
A808CH	8.00 x 8.00 x 4.00 (203 x 203 x 102)	14	A8P8	A8P8G	6.75 x 6.88 (171 x 175)	8.75 x 6.00 (222 x 152)	9.50 x 8.94 (241 x 227)	3.53 (90)	3.62 (92)	0.56 (14)	1.00 (25)	7.00 (178)	0.25 (6)	0.62 (16)
A1008CH	10.00 x 8.00 x 4.00 (254 x 203 x 102)	14	A10P8	A10P8G	8.75 x 6.88 (222 x 175)	10.75 x 6.00 (273 x 152)	11.50 x 8.94 (292 x 227)	3.53 (90)	3.62 (92)	0.56 (14)	1.00 (25)	7.00 (178)	0.25 (6)	0.62 (16)
A1008CHS	10.00 x 8.00 x 4.00 (254 x 203 x 102)	14	A10P8	A10P8G	8.75 x 6.88 (222 x 175)	10.75 x 6.00 (273 x 152)	11.50 x 8.94 (292 x 227)	3.53 (90)	3.62 (92)	0.56 (14)	1.00 (25)	7.00 (178)	0.25 (6)	0.62 (16)
A12064CH	12.00 x 6.00 x 4.00 (305 x 152 x 102)	14	A12P6	A12P6G	10.75 x 4.88 (273 x 124)	12.75 x 4.00 (324 x 102)	13.50 x 6.94 (343 x 176)	3.53 (90)	3.62 (92)	0.56 (14)	1.00 (25)	5.00 (127)	0.25 (6)	0.62 (16)
A1210CH	12.00 x 10.00 x 5.00 (305 x 254 x 127)	14	A12P10	A12P10G	10.75 x 8.88 (273 x 226)	12.75 x 8.00 (324 x 203)	13.50 x 10.94 (343 x 278)	4.53 (115)	4.62 (117)	0.56 (14)	1.00 (25)	9.00 (229)	0.25 (6)	0.62 (16)
A1210CHS	12.00 x 10.00 x 5.00 (305 x 254 x 127)	14	A12P10	A12P10G	10.75 x 8.88 (273 x 226)	12.75 x 8.00 (324 x 203)	13.50 x 10.94 (343 x 278)	4.53 (115)	4.62 (117)	0.56 (14)	1.00 (25)	9.00 (229)	0.25 (6)	0.62 (16)
A8066CH	8.00 x 6.00 x 6.00 (203 x 152 x 152)	14	A8P6	A8P6G	6.75 x 4.88 (171 x 124)	8.75 x 4.00 (222 x 102)	9.50 x 6.94 (241 x 176)	5.53 (140)	5.62 (143)	0.56 (14)	1.00 (25)	5.00 (127)	0.25 (6)	0.62 (16)
A10086CH	10.00 x 8.00 x 6.00 (254 x 203 x 152)	14	A10P8	A10P8G	8.75 x 6.88 (222 x 175)	10.75 x 6.00 (273 x 152)	11.50 x 8.94 (292 x 227)	5.53 (140)	5.62 (143)	0.56 (14)	1.00 (25)	7.00 (178)	0.25 (6)	0.62 (16)

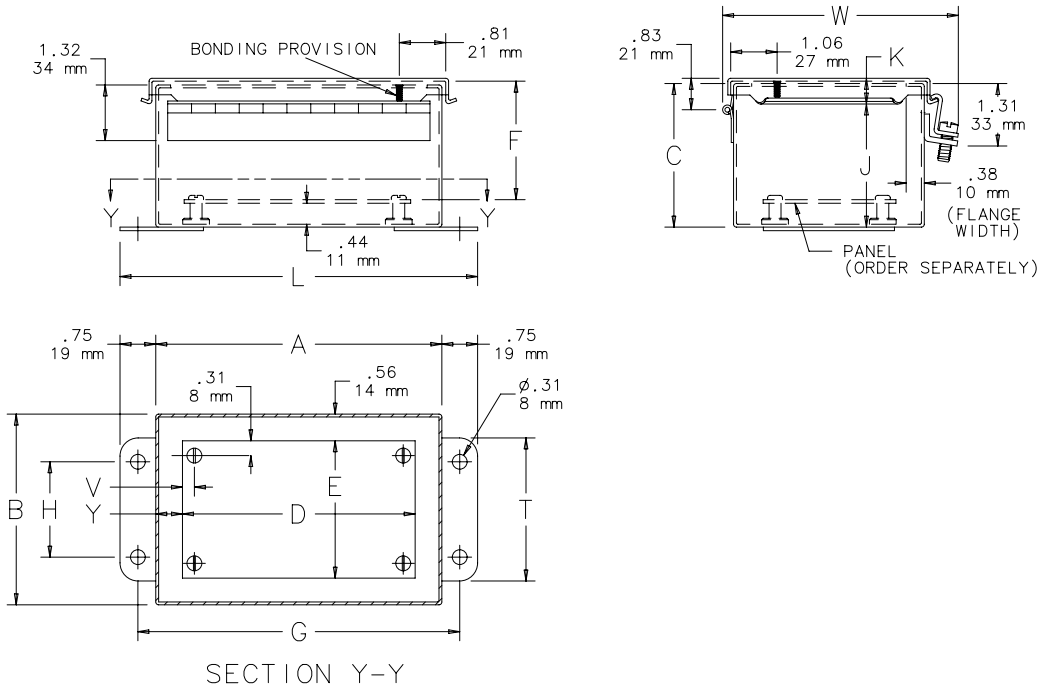
Continuous Hinge CH Junction Boxes

Standard Sizes Continuous Hinge CH Junction Boxes

Catalog Number	A x B x C in. (mm)	Gauge	Panel Catalog No.	Conductive Panel Catalog No.	Panel Size D x E in. (mm)	Mounting G x H in. (mm)	Overall L x W in. (mm)	F in. (mm)	J in. (mm)	K in. (mm)	P in. (mm)	T in. (mm)	V in. (mm)	Y in. (mm)
A10106CH	10.00 x 10.00 x 6.00 (254 x 254 x 152)	14	A10P10	A10P10G	8.75 x 8.88 (222 x 226)	10.75 x 8.00 (273 x 203)	11.50 x 10.94 (292 x 278)	5.53 (140)	5.62 (143)	0.56 (14)	1.00 (25)	9.00 (229)	0.25 (6)	0.62 (16)
A1212CH	12.00 x 12.00 x 6.00 (305 x 305 x 152)	14	A12P12	A12P12G	10.75 x 10.88 (273 x 276)	12.75 x 10.00 (324 x 254)	13.50 x 12.94 (343 x 329)	5.53 (140)	5.62 (143)	0.56 (14)	1.00 (25)	11.00 (279)	0.25 (6)	0.62 (16)
A14086CH	14.00 x 8.00 x 6.00 (356 x 203 x 152)	14	A14P8	A14P8G	12.75 x 6.88 (324 x 175)	14.75 x 6.00 (375 x 152)	15.50 x 8.94 (394 x 227)	5.53 (140)	5.62 (143)	0.56 (14)	1.00 (25)	7.00 (178)	0.25 (6)	0.62 (16)
A1412CH	14.00 x 12.00 x 6.00 (356 x 305 x 152)	14	A14P12	A14P12G	12.75 x 10.88 (324 x 276)	14.75 x 10.00 (375 x 254)	15.50 x 12.94 (394 x 329)	5.53 (140)	5.62 (143)	0.56 (14)	1.00 (25)	11.00 (279)	0.25 (6)	0.62 (16)
A1412CHS	14.00 x 12.00 x 6.00 (356 x 305 x 152)	14	A14P12	A14P12G	12.75 x 10.88 (324 x 276)	14.75 x 10.00 (375 x 254)	15.50 x 12.94 (394 x 329)	5.53 (140)	5.62 (143)	0.56 (14)	1.00 (25)	11.00 (279)	0.25 (6)	0.62 (16)
A16106CH	16.00 x 10.00 x 6.00 (406 x 254 x 152)	14	A16P10	A16P10G	14.75 x 8.88 (375 x 226)	16.75 x 8.00 (425 x 203)	17.50 x 10.94 (445 x 278)	5.53 (140)	5.62 (143)	0.56 (14)	1.00 (25)	9.00 (229)	0.25 (6)	0.62 (16)
A1614CH	16.00 x 14.00 x 6.00 (406 x 356 x 152)	14	A16P14	A16P14G	14.75 x 12.88 (375 x 327)	16.75 x 12.00 (425 x 305)	17.50 x 14.94 (445 x 379)	5.53 (140)	5.62 (143)	0.56 (14)	1.00 (25)	13.00 (330)	0.25 (6)	0.62 (16)
A1614CHS	16.00 x 14.00 x 6.00 (406 x 356 x 152)	14	A16P14	A16P14G	14.75 x 12.88 (375 x 327)	16.75 x 12.00 (425 x 305)	17.50 x 14.94 (445 x 379)	5.53 (140)	5.62 (143)	0.56 (14)	1.00 (25)	13.00 (330)	0.25 (6)	0.62 (16)
A12108CH	12.00 x 10.00 x 8.00 (305 x 254 x 203)	14	A12P10	A12P10G	10.75 x 8.88 (273 x 226)	12.75 x 8.00 (324 x 203)	13.50 x 10.94 (343 x 278)	7.53 (191)	7.62 (194)	0.56 (14)	1.00 (25)	9.00 (229)	0.25 (6)	0.62 (16)
A14128CH	14.00 x 12.00 x 8.00 (356 x 305 x 203)	14	A14P12	A14P12G	12.75 x 10.88 (324 x 276)	14.75 x 10.00 (375 x 254)	15.50 x 12.94 (394 x 329)	7.53 (191)	7.62 (194)	0.56 (14)	1.00 (25)	11.00 (279)	0.25 (6)	0.62 (16)
A16148CH	16.00 x 14.00 x 8.00 (406 x 356 x 203)	14	A16P14	A16P14G	14.75 x 12.88 (375 x 327)	16.75 x 12.00 (425 x 305)	17.50 x 14.94 (445 x 379)	7.53 (191)	7.62 (194)	0.56 (14)	1.00 (25)	13.00 (330)	0.25 (6)	0.62 (16)
A161410CH	16.00 x 14.00 x 10.00 (406 x 356 x 254)	14	A16P14	A16P14G	14.75 x 12.88 (375 x 327)	16.75 x 12.00 (425 x 305)	17.50 x 14.94 (445 x 379)	9.53 (242)	9.62 (244)	0.56 (14)	1.00 (25)	13.00 (330)	0.25 (6)	0.62 (16)

Catalog numbers ending in S are hinged on short side.

Purchase panels separately. Optional stainless steel, conductive, composite, and aluminum panels are available for most sizes.



Industrial Enclosures