

**Product datasheet**  
**Characteristics**

# TM2DMM8DRT

discrete I/O module M238 - 4 inputs 24 V DC - 4 outputs relay - 1 terminal block



### Main

Range of product	Modicon M238 logic controller
Product or component type	Discrete I/O module
Discrete input number	4
Discrete input voltage	24 V
Discrete input voltage type	DC
Discrete output number	4
Discrete output type	Relay

### Complementary

Range compatibility	Advantys OTB Twido
Input voltage limits	20.4...28.8 V
Discrete input logic	Sink or source
Discrete input current	7 mA
Input impedance	3.4 kOhm
Discrete output function	1 NO
Current per channel	2 A
Current per output common	7 A
Number of common point	1 for input 1 for output
Contact resistance	<= 45 mOhm
Response time	<= 10 ms from state 0 to state 1 output <= 5 ms from state 1 to state 0 output 4 ms at state 0 input 4 ms at state 1 input
Minimum switching current	0.1 mA 0.1 V DC
Isolation between channels	None
Isolation between channels and internal logic	2300 V for 1 minute (output) 500 V for 1 minute (input)
Isolation between input channel and output channel	1500 V for 1 minute
Isolation between output channels group	1500 V for 1 minute
Mechanical durability	20000000 cycles
Electrical durability	100000 cycles 0.5 A AC-15 240 V AC cos phi = 0.35 inductive 100000 cycles 1 A AC-15 240 V AC cos phi = 0.7 inductive 100000 cycles 1 A DC-13 24 V DC inductive (L/R = 7 ms) 100000 cycles 2 A 240 V AC resistive 100000 cycles 2 A 30 V DC resistive
Current consumption	20 mA 24 V DC at state 1 for all input/output 25 mA 5 V DC at state 1 for all input/output
Local signalling	1 display block
Electrical connection	1 removable screw terminal block
Mounting support	35 mm symmetrical DIN rail
Product weight	0.095 kg

The information provided in this documentation contains general descriptions and/or technical characteristics of the products contained herein. This documentation is not intended as a substitute for and is not to be used for determining suitability or reliability of these products for specific user applications. It is the duty of any such user or integrator to perform the appropriate and complete risk analysis, evaluation and testing of the products with respect to the relevant specific application or use thereof. Neither Schneider Electric Industries SAS nor any of its affiliates or subsidiaries shall be responsible or liable for misuse of the information contained herein.

## Environment

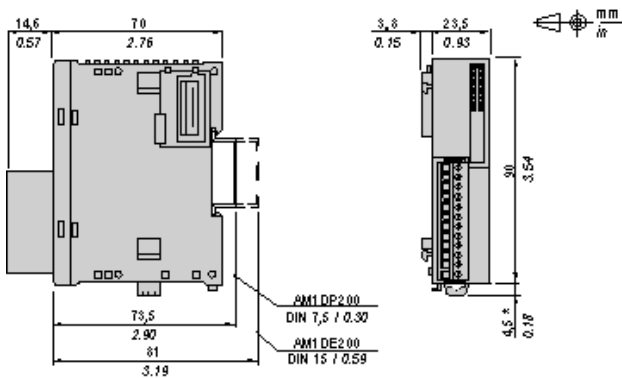
depth	70 mm
height	90 mm
width	42.9 mm

## Offer Sustainability

Sustainable offer status	Green Premium product
RoHS (date code: YYWW)	Compliant - since 1039 - Schneider Electric declaration of conformity
REACH	Reference not containing SVHC above the threshold
Product environmental profile	Available
Product end of life instructions	Available

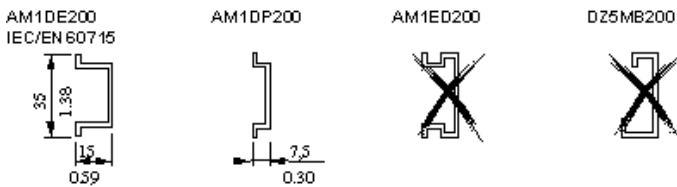
## Digital Mixed I/O Module (8-channel)

### Dimensions



NOTE: \* 8.5 mm (0.33 in) when the clamp is pulled out.

## DIN Rail Mounting

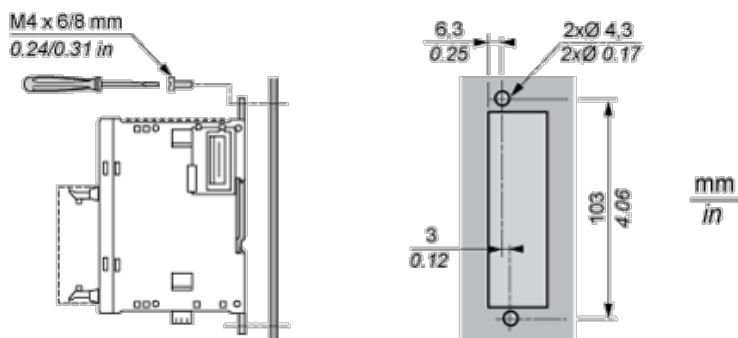


Rail depth	Catalogue part number
15 mm (0.59 in.)	AM1DE200
7,5 mm (0.30 in.)	AM1DP200

NOTE: Do not use AM1ED200 and DZ5MB200

## Module Mounting on a Panel Surface

### Mounting Hole Layout



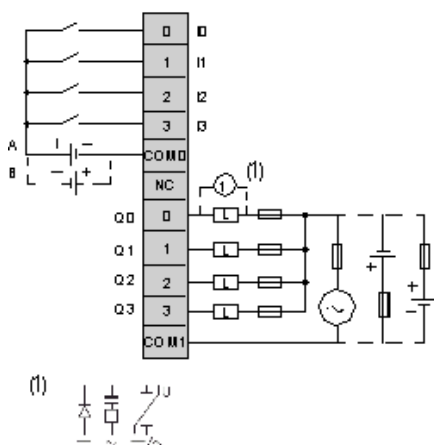
## Wiring Requirements

### Cable Types and Wire Sizes for Removable Screw Terminal Block

9 0.35 mm in.							
	0,14...1,5	0,25...0,5	0,25...1,5	0,14...0,5	0,14...0,75	0,25...0,34	0,5
	AWG 26...16	24...20	24...16	26...20	26...18	24...22	20

## Digital Mixed I/O Module (8-channel)

### Wiring Diagram



A Sink wiring (positive logic)

B Source wiring (negative logic)

L Load

Fuse value for the load: 2 A

Fuse value for the power supply: 7 A