

Continuous Hinge Type 4 CHNF Junction Boxes



Application

For indoor or outdoor use as electrical junction boxes, terminal wiring boxes, and instrument housings. Hinged doors provide convenient access. Suitable for indoor or outdoor use, wherever protection from dust, dirt, oil, or hose-directed water is essential.

Construction

- 16 or 14 gauge steel (see table)
- Seams continuously welded and ground smooth; no holes or knockouts
- Stainless steel clamps on three sides of door assure watertight seal
- Heavy gauge continuous hinge
- Stainless steel hinge pin
- Oil-resistant gasket
- Weldnuts provided for mounting optional panels and terminal block kits in size 6.00 x 4.00 in. (152 x 102mm) and larger
- Bonding provision on door
- External wall-mounting brackets are 12 gauge steel
- Optional panels are 14 gauge steel

Finish

ANSI 61 gray polyester powder paint inside and out over phosphatized surfaces. Optional panels are white or conductive finish.

Industry Standards

UL 50, File No. E27567: Type 4, 12, and 13
UL 508A, File No. E61997: Type 4, 12, and 13
NEMA/EEMAC Type 4, 12, and x13
JIC standard EGP-1-1967 (14 gauge only)
CSA, File No. 42184: Type 4 and 12
IEC 60529, IP66

Accessories

See also Accessories chapter.

Clamp Kit (AL18)
Corrosion Inhibitors
DIN3 Rails
Fast Operating Junction Clamp (AL23SS)
Lock Kit (ACLJIC)
Panels (see table)
Swing-Out Panel Kit (AJCDFK)
Terminal Block Kit Assembly
Touch-Up Paint (ATPPY61)
Window Kit

Modification Services Program

You can customize this product to your unique requirements by specifying from these options:

- Over 100 standard finish colors and textures
- Holes and cutouts in body, doors, subpanels
- Tapped holes, fasteners in enclosure or subpanel
- Mounting
- Doors
- Windows
- Standard accessories

To order, contact your local Hoffman sales representative.

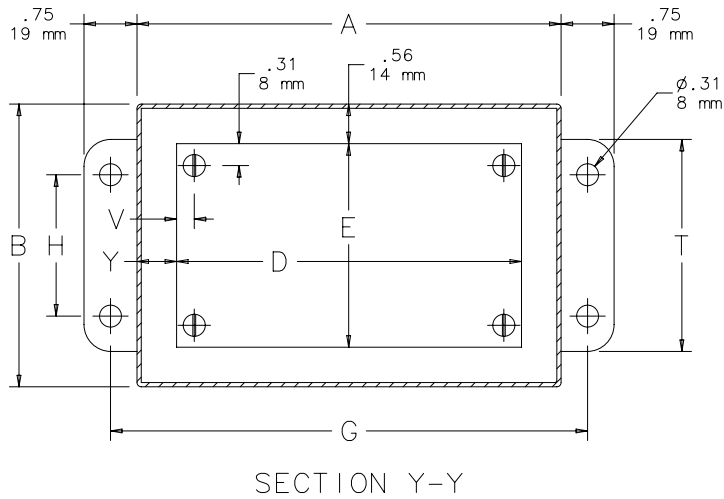
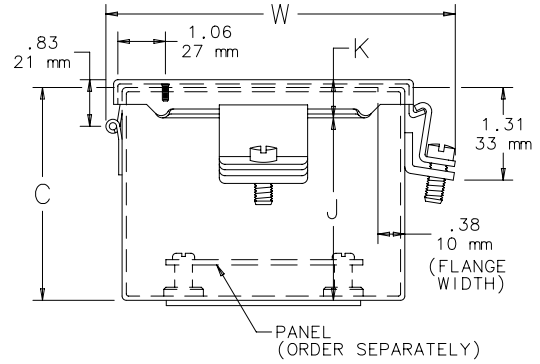
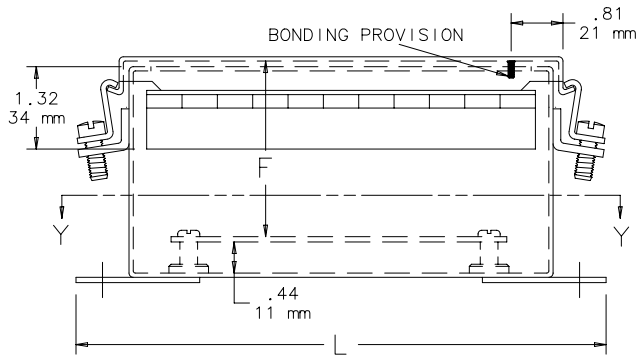
NOTE: For information about modifications outside the scope of the Modification Services program, contact your Hoffman sales representative.

Standard Sizes Continuous Hinge Type 4 CHNF Junction Boxes

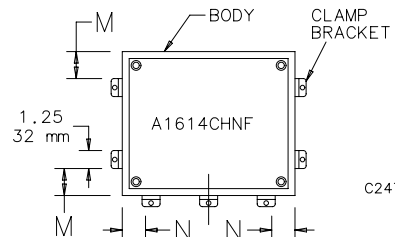
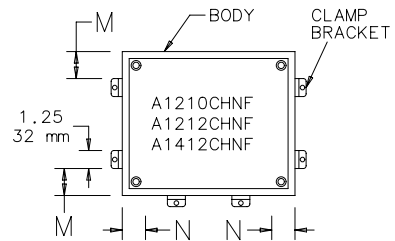
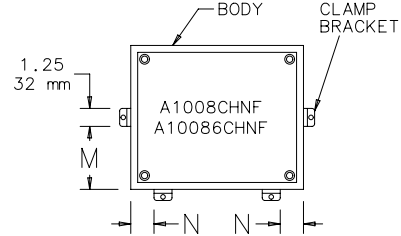
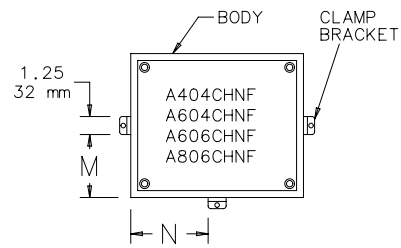
Catalog Number	A x B x C in. (mm)	Gauge	Panel Catalog Number	Conductive Panel Catalog Number	Panel Size D x E in. (mm)	Mounting G x H in. (mm)	Overall L x W in. (mm)	F in. (mm)	J in. (mm)	K in. (mm)	M in. (mm)	N in. (mm)	T in. (mm)	V in. (mm)	Y in. (mm)
A404CHNF	4.00 x 4.00 x 3.00 (102 x 102 x 76)	16	No Panel	No Panel	No Panel	4.75 x 2.00 (121 x 51)	5.50 x 4.94 (140 x 125)	—	2.62 (66)	0.54 (14)	1.38 (35)	1.38 (35)	3.00 (76)	—	—
A604CHNF	6.00 x 4.00 x 3.00 (152 x 102 x 76)	16	A6P4	A6P4G	4.88 x 2.88 (124 x 73)	6.75 x 2.00 (171 x 51)	7.50 x 4.94 (191 x 125)	2.53 (64)	2.62 (66)	0.54 (14)	1.38 (35)	2.38 (60)	3.00 (76)	0.31 (8)	0.56 (14)
A806CHNF	8.00 x 6.00 x 3.05 (203 x 152 x 89)	14	A8P6	A8P6G	6.75 x 4.88 (171 x 124)	8.75 x 4.00 (222 x 102)	9.50 x 6.94 (241 x 176)	3.03 (77)	3.12 (79)	0.56 (14)	2.38 (60)	3.38 (86)	5.00 (127)	0.25 (6)	0.62 (16)
A606CHNF	6.00 x 6.00 x 4.00 (152 x 152 x 102)	16	A6P6	A6P6G	4.88 x 4.88 (124 x 124)	6.75 x 4.00 (171 x 102)	7.50 x 6.94 (191 x 176)	3.53 (90)	3.62 (92)	0.54 (14)	2.38 (60)	2.38 (60)	5.00 (127)	0.31 (8)	0.56 (14)
A1008CHNF	10.00 x 8.00 x 4.00 (254 x 203 x 102)	14	A10P8	A10P8G	8.75 x 6.88 (222 x 175)	10.75 x 6.00 (273 x 152)	11.50 x 8.94 (292 x 227)	3.53 (90)	3.62 (92)	0.56 (14)	3.38 (86)	1.50 (38)	7.00 (178)	0.25 (6)	0.62 (16)
A1210CHNF	12.00 x 10.00 x 5.00 (305 x 254 x 127)	14	A12P10	A12P10G	10.75 x 8.88 (273 x 225)	12.75 x 8.00 (324 x 203)	13.50 x 10.94 (343 x 278)	4.53 (115)	4.62 (117)	0.56 (14)	2.00 (51)	3.00 (76)	9.00 (229)	0.25 (6)	0.62 (16)
A10086CHNF	10.00 x 8.00 x 6.00 (254 x 203 x 152)	14	A10P8	A10P8G	8.75 x 6.88 (222 x 175)	10.75 x 6.00 (273 x 152)	11.50 x 8.94 (292 x 227)	5.53 (140)	5.62 (143)	0.56 (14)	3.38 (86)	1.50 (38)	7.00 (178)	0.25 (6)	0.62 (16)
A1212CHNF	12.00 x 12.00 x 6.00 (305 x 305 x 152)	14	A12P12	A12P12G	10.75 x 10.88 (273 x 276)	12.75 x 10.00 (324 x 254)	13.50 x 12.94 (343 x 329)	5.53 (140)	5.62 (143)	0.56 (14)	2.50 (64)	2.50 (64)	11.00 (279)	0.25 (6)	0.62 (16)
A1412CHNF	14.00 x 12.00 x 6.00 (356 x 305 x 152)	14	A14P12	A14P12G	12.75 x 10.88 (324 x 276)	14.75 x 10.00 (375 x 254)	15.50 x 12.94 (394 x 329)	5.53 (140)	5.62 (143)	0.56 (14)	2.00 (51)	3.00 (76)	11.00 (279)	0.25 (6)	0.62 (16)
A1614CHNF	16.00 x 14.00 x 6.00 (406 x 356 x 152)	14	A16P14	A16P14G	14.75 x 12.88 (375 x 327)	16.75 x 12.00 (425 x 305)	17.50 x 14.94 (445 x 379)	5.53 (140)	5.62 (143)	0.56 (14)	3.50 (89)	1.50 (38)	13.00 (330)	0.25 (6)	0.62 (16)

Purchase panels separately. Optional stainless steel, conductive, composite, and aluminum panels are available for most sizes.

Continuous Hinge Type 4 CHNF Junction Boxes



Clamp Bracket Locations



C2478-C

Industrial Enclosures