

Product datasheet
Characteristics

XUZA51S

accessory for sensor - fixing bracket XUK-S - stainless steel



Main

Range of product	OsiSense XU
Accessory / separate part category	Mounting and fixing accessory
Accessory / separate part type	Fixing bracket
Product or component type	Fixing bracket
Accessory / separate part destination	50 x 50 mm compact sensor
Material	Stainless steel

Complementary

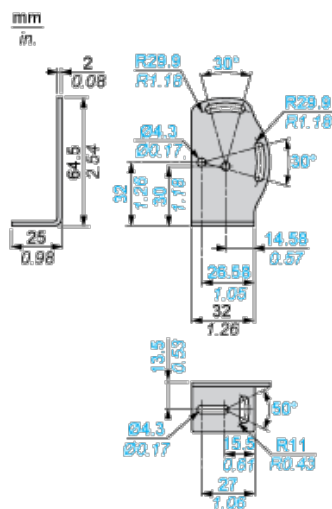
Product compatibility	XUK_S
Product weight	0.05 kg

Environment

Offer Sustainability

Sustainable offer status	Not Green Premium product
RoHS (date code: YYWW)	Will not be Compliant

Dimensions



The information provided in this documentation contains general descriptions and/or technical characteristics of the products contained herein. This documentation is not intended as a substitute for and is not to be used for determining suitability or reliability of these products for specific user applications. It is the duty of any such user or integrator to perform the appropriate and complete risk analysis, evaluation and testing of the products with respect to the relevant specific application or use thereof. Neither Schneider Electric Industries SAS nor any of its affiliates or subsidiaries shall be responsible or liable for misuse of the information contained herein.