

Calypso

convectair.com



Photo / page 10

INSTALLATION AND CONNECTION

Installation height 10 in (25 cm).

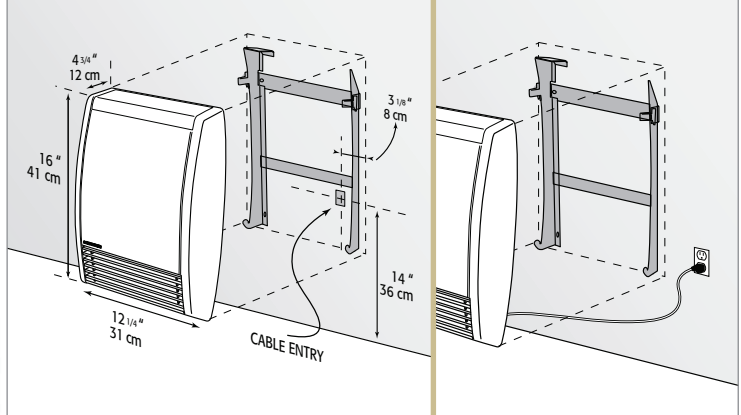
Clearances

■ **Front:** 20 in (50 cm) ◀ **Sides:** 4 in (10 cm) ▲ **Above:** 12 in (30 cm).

Installation Quick-mounted surface installation with easy snap-on bracket that also serves as marking template.


Connection 240-V unit: Rear power cable connection with double wire holder.
Rear wire knock-out for armoured cable installation.
120-V unit: Plug-in connection with 6 ft flexible cord.

Note 240-V unit: 3-conductor cable or 2-conductor cable with a third wire should be used if unit is to be linked with the Convectair Programmer module (7392 FP).



HEATING ELEMENT


Total capacity 1500 (120V) and 2000W (240V)

 **Fan-forced heat (750 (120V) or 1 000W (240V))** Low-thermal-mass heating element combined with low-pressure tangential blower.

Quick heat option (750 (120V) or 1 000W (240V)) Low-thermal-mass heating element combined with low-pressure tangential blower.

Thermal protection Resettable overheat protection. Reset by turning heater off.


TEMPERATURE CONTROL

 **Electronic thermostat** Built-in electronic proportional-action thermostat for the basic heating.

Timer 0-30 minute resettable mechanical timer for quick heating.

Programmer Programmer-compatible, pilot wire only.

CONTROL PANEL

 **Location** Located on top of the unit with protective cover.

Switch On/Off switch, also serves as reset for overheat protection.

Dial 1 Thermostat control.

2 Timer dial.

Indicator light 1 Heating indicator light.

2 Overheat of saturated filter warning indicator light.

CABINET

 **Steel** construction with polyester/epoxy anti-rust powder coating.



Cabinet Splash-proof construction with rounded edges and built-in side wire covers.

Louvres Bottom grille directs the hot air downwards, towards the centre of the room to ensure even temperature.

Filter Easy-to-clean, removable rear-mounted lint filter for easier maintenance.

Color BB = White BM = Mimetic White

MODEL	Catalog No.	Color	Power		Height		Width		Thickness		Weight	
			240-V	208-V	cm	in	cm	in	cm	in	kg	lb
CALYPSO ②	7825-C20	BB BM	1 000 - 2 000 W		41	16	31	12 1/4	12	4 3/4	5,0	11,0

120 VOLTS   PLUG-IN												
CALYPSO ④	7825-B15	BB	750 W - 1 500 W		41	16	31	12 1/4	12	4 3/4	5,0	11,0

② Compatible with the Programmer system (see technical specifications for catalogue number 7392).

④ Not compatible with the Programmer system. For use with 120 V outlets.

For guaranteed, dependable operation, we recommend that all units be installed by a licensed electrical contractor. Consult **convectair.com** to find the most recent installation instructions for our heaters.

